



JOSPER CHARCOAL BROILER OVEN HJA



TECHNICAL INFORMATION

Recommended for ±	80 diners	
Fire up time	30 min average	
Charcoal daily consumption	10 to 12 kg	22 to 26.5 lb
Performance	9h	
Production per hour	60 kg average	132 lb average
Broiling temperature	250 to 350 °C	482 to 662 °F
Grill rack capacity in GN trays	1xGN1/1	
Tempering cavity capacity in GN trays	2xGN1/3 / 4xGN1/9	
Nominal heat output	8,8 kW	11.8 hp
Flue gas mass flow	19,36 g/s	0.68 oz/s
Smoke temperature	208 °C	407 °F
Net weight	378 kg	833.3 lb

HJA-25-HC

The new Class A charcoal broiling oven is much more than a grill and an oven in a single machine. It is a unique equipment working 100% with charcoal, with a unique closed barbecue design, different levels of grilling, both flexible and robust, easy to use, with a front opening door, vent system for temperature control and double rack to gain productivity.

Class A efficiency improvements include hydraulic door retention, thermal insulation, new upper tempering area, greater accessibility, a more compact design and easy clean system. These upgrades result in an exponential increase in the quality and quantity of its production and the oven's final performance.

ACCESSORIES INCLUDED

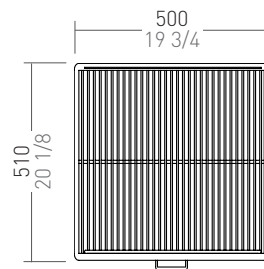
Vent · Firebreak · Firebreak hat · 2 Grill racks · Tongs · Wire brush · Poker for coal · Ash pan · Wheels

INSTALLATION

Clearance with non-flammable equipment	100 mm	4 in
Clearance with flammable equipment	300 mm	12 in
Exhaust rate	2800 m ³ /h	1648 cfm

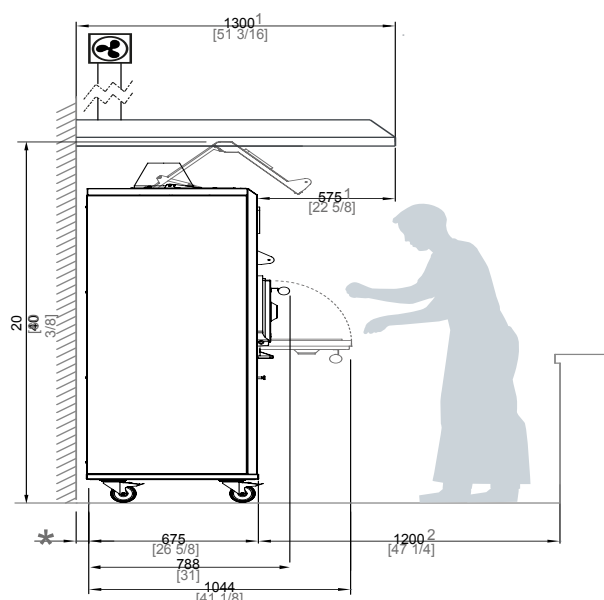
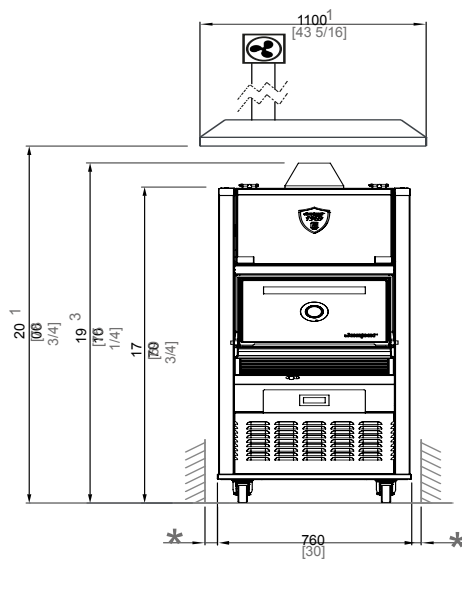
BUNDLES: SIZES AND WEIGHTS

Sizes bundle	850 x 1210 x 2000 mm	33 1/2 X 47 5/8 x 78 3/4 in
Gross weight bundle	447 kg	985.5 lb



x2

[mm
in]



По вопросам продаж и поддержки обращайтесь:

Архангельск (8182)63-90-72	Казань (843)206-01-48	Новокузнецк (3843)20-46-81	Смоленск (4812)29-41-54
Астана +7(7172)727-132	Калининград (4012)72-03-81	Новосибирск (383)227-86-73	Сочи (862)225-72-31
Астрахань (8512)99-46-04	Калуга (4842)92-23-67	Омск (3812)21-46-40	Ставрополь (8652)20-65-13
Барнаул (3852)73-04-60	Кемерово (3842)65-04-62	Орел (4862)44-53-42	Сургут (3462)77-98-35
Белгород (4722)40-23-64	Киров (8332)68-02-04	Оренбург (3532)37-68-04	Тверь (4822)63-31-35
Брянск (4832)59-03-52	Краснодар (861)203-40-90	Пенза (8412)22-31-16	Томск (3822)98-41-53
Владивосток (423)249-28-31	Красноярск (391)204-63-61	Пермь (342)205-81-47	Тула (4872)74-02-29
Волгоград (844)278-03-48	Курск (4712)77-13-04	Ростов-на-Дону (863)308-18-15	Тюмень (3452)66-21-18
Вологда (8172)26-41-59	Липецк (4742)52-20-81	Рязань (4912)46-61-64	Ульяновск (8422)24-23-59
Воронеж (473)204-51-73	Магнитогорск (3519)55-03-13	Самара (846)206-03-16	Уфа (347)229-48-12
Екатеринбург (343)384-55-89	Москва (495)268-04-70	Санкт-Петербург (812)309-46-40	Хабаровск (4212)92-98-04
Иваново (4932)77-34-06	Мурманск (8152)59-64-93	Саратов (845)249-38-78	Челябинск (351)202-03-61
Ижевск (3412)26-03-58	Набережные Челны (8552)20-53-41	Севастополь (8692)22-31-93	Череповец (8202)49-02-64
Иркутск (395) 279-98-46	Нижний Новгород (831)429-08-12	Симферополь (3652)67-13-56	Ярославль (4852)69-52-93
Киргизия (996)312-96-26-47	Казахстан (772)734-952-31	Таджикистан (992)427-82-92-69	

Эл. почта rep@nt-rt.ru || Сайт: <http://josper.nt-rt.ru>